



Application

AFK fans are intended to supply large amounts of air. They can be used in industry and trade, among others for:

- ventilation and cooling of workplaces,
- point cooling of motors, compressors, electric machines, etc.,
- ventilation of industrial and sports halls, warehouses, etc.,
- drying of painted surfaces, etc.

Construction

- welded steel housing, powder coated,
- Rotor made of polypropylene,
- impeller made of glass fibre reinforced polypropylene, Aluminium hub,
- protective mesh on inlet and outlet of fan,
- fan connection with 3 m cable terminated with a plug,
- fan painted black RAL 9005.

Electric motor

- asynchronous, single phase 230V, 50Hz,
- IP55 protection class, complies with standards PN-IEC 60072 and PN-EN 60034,
- Class F insulation,
- Voltage regulated by built-in thyristor regulator,
- Optional: possibility to order fan without regulator.

Special version

- painted a different color than standard.

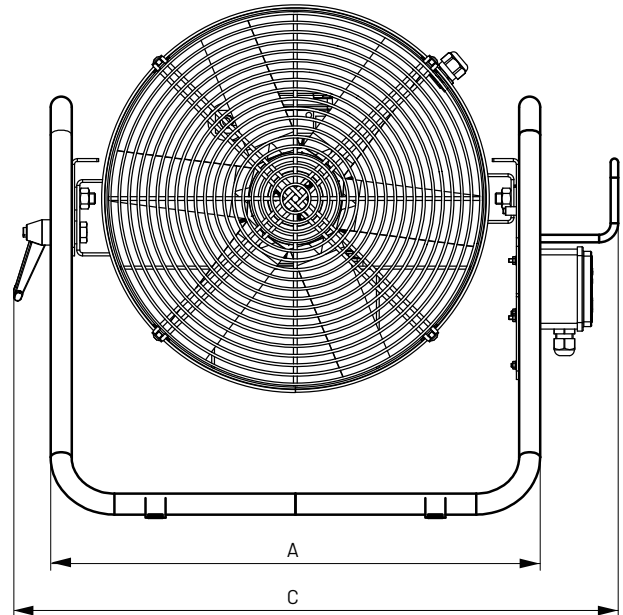
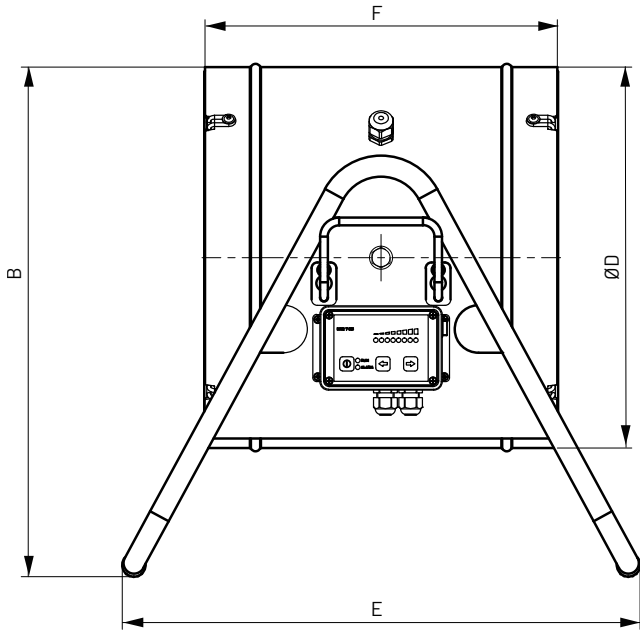
| type | airflow max | airflow range for 2 m/s | speed | voltage rated | current max absorbed** | motor power | sound pressure level* | weight | article number |
|------------|------------------------|-------------------------|----------|---------------|------------------------|-------------|-----------------------|---------|----------------|
| AFK-315 RU | 2200 m ³ /h | 2,2 m | 1430 rpm | 1~230 V | 1,0 A | 0,12 kW | 61 dB(A) | 17,0 kg | 42516001 |
| AFK-355 RU | 2550 m ³ /h | 2,8 m | 1420 rpm | 1~230 V | 1,4 A | 0,18 kW | 62 dB(A) | 20,0 kg | 42516011 |
| AFK-400 RU | 3100 m ³ /h | 8,4 m | 1420 rpm | 1~230 V | 2,5 A | 0,37 kW | 62 dB(A) | 24,0 kg | 42516021 |
| AFK-450 RU | 4900 m ³ /h | 12,5 m | 1420 rpm | 1~230 V | 3,1 A | 0,55 kW | 65 dB(A) | 25,0 kg | 42516031 |
| AFK-500 RU | 5500 m ³ /h | 13,6 m | 1420 rpm | 1~230 V | 3,5 A | 0,55 kW | 67 dB(A) | 32,0 kg | 42516041 |
| AFK-560 RU | 6400 m ³ /h | 14,6 m | 1420 rpm | 1~230 V | 3,8 A | 0,55 kW | 68 dB(A) | 35,0 kg | 42516051 |

* Measurement made at a distance of 1.5m from the outlet

** value of the rated current may vary depending on the manufacturer of the electric motor used.



DIMENSIONS

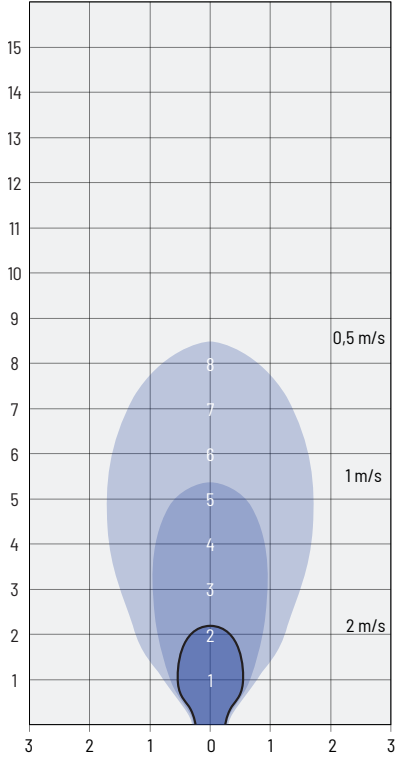


| type | A mm | B mm | C mm | ØD mm | E mm | F mm |
|------------|---------|---------|---------|----------|---------|---------|
| AFK-315 RU | 428 | 441 | 549 | 315 | 487 | 320 |
| AFK-355 RU | 468 | 489 | 589 | 355 | 518 | 340 |
| AFK-400 RU | 514 | 535 | 635 | 400 | 544 | 370 |
| AFK-450 RU | 564 | 582 | 685 | 450 | 568 | 406 |
| AFK-500 RU | 614 | 629 | 735 | 500 | 591 | 406 |
| AFK-560 RU | 674 | 677 | 795 | 560 | 611 | 406 |

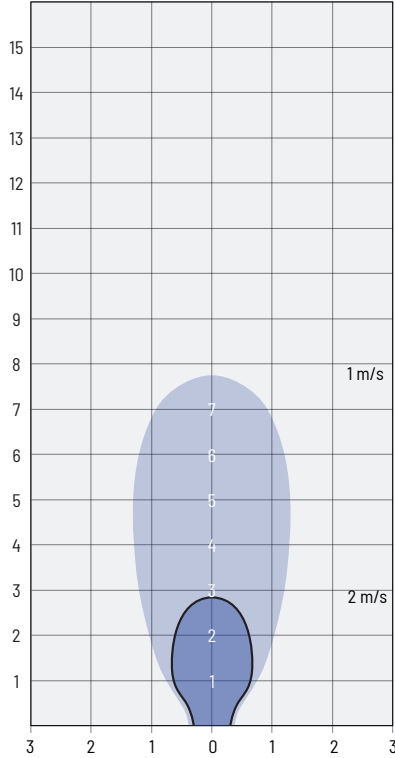


AIR FLOW RANGE [m]

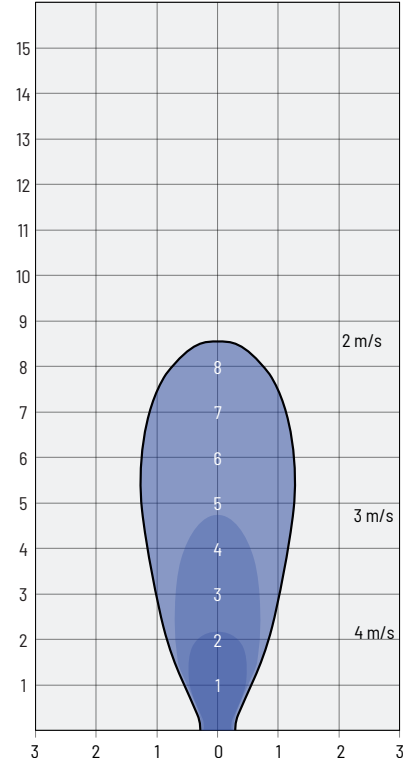
AFK-315 RU



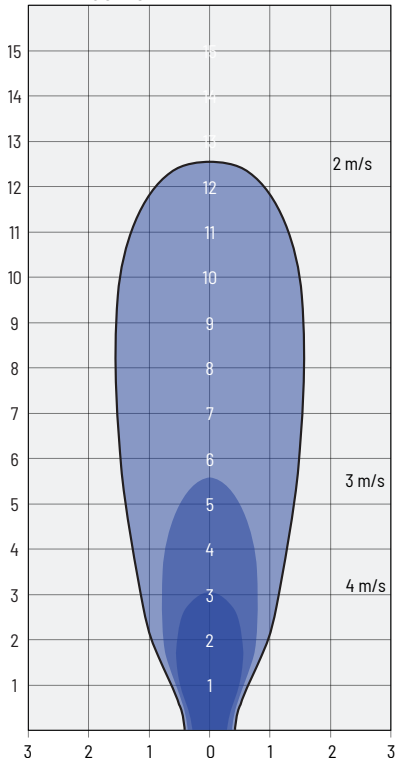
AFK-355 RU



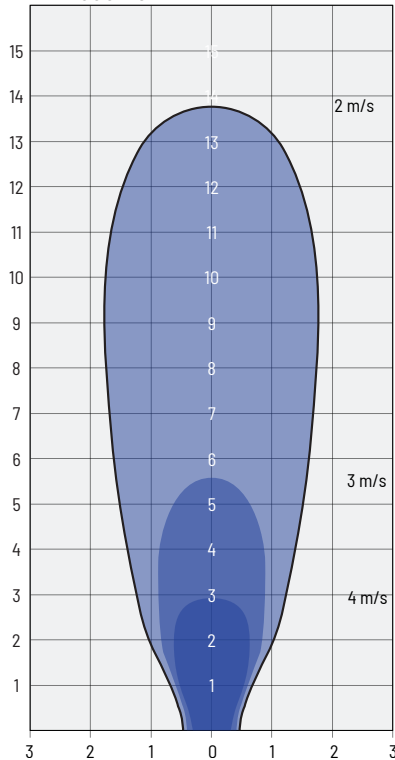
AFK-400 RU



AFK-450 RU



AFK-500 RU



AFK-560 RU

